

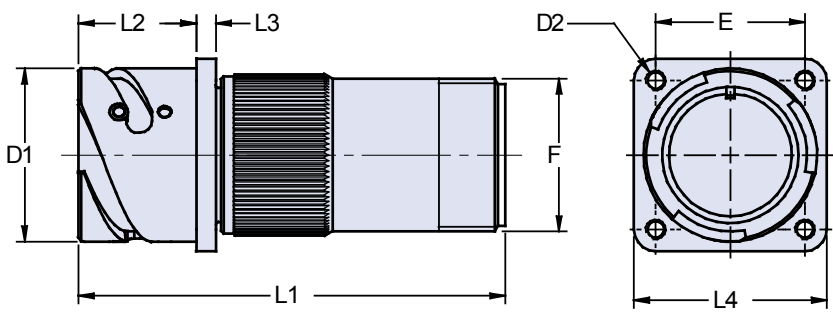


**ITH 030 A and ITH 030 R**  
Rear Box Mount Receptacle with Accessory Backshell  
and a Selection of Cable Clamps

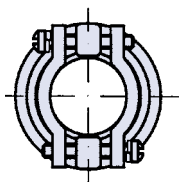
**ITH 030 A 28-21 P Y XXX**

ITH = Plastic Insert and Standard Contacts (See Notes #4, 6)  
 030 = Rear Mounting Receptacle with Threaded Holes  
 Environmental Class  
 A - Non-Environmental  
 R - Environmental

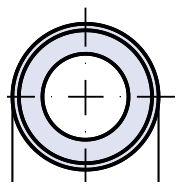
Mod Code Option (See Table II)  
 Alternate Insert Rotation (W, X, Y, Z)  
 Omit for Normal (See Page 6)  
 Contact Gender  
 P - Pin  
 S - Socket  
 Shell Size and Insert Arrangement (See Page 7)



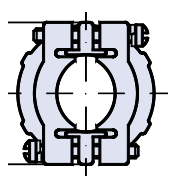
Order Cable Clamps and Sleeves Separately or Use Mod Codes (Table II) to Add Clamp to This Assembly.



**IT 3057 C**  
Cable Clamp



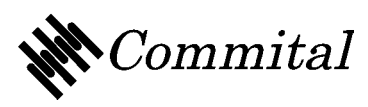
**IT 3420**  
Neoprene Sleeve



**IT 3057 A**  
Cable Clamp

**Application Notes:**

- Box mount receptacle connector with square flange for rear panel mounting and backshell for use with cable clamps or BR backshells. Threaded mounting holes.
- Environmental class A (non-environmental) not supplied with grommet; Class R (environmental) supplied with grommet.
- Standard shell materials configuration consists of aluminum alloy with cadmium free conductive plating and black passivation.
- Standard contact material consists of copper alloy with gold plating.
- A broad range of other front and rear connector accessories are available. See our website and/or contact the factory for complete information.
- Standard insert material is Low fire hazard plastic UL94V0, IAW Article 3, NFF16-102, 356833.



**ITH 030 A and ITH 030 R**  
**Rear Box Mount Receptacle with Accessory Backshell**  
**and a Selection of Cable Clamps**



**TABLE I: DIMENSIONS**

Shell Size	D1 +0 -0.15	D2 FF	E ±0.1	F thread	L1 Max.	L2 +0.4 -0	L3 ±0.2	L4 ±0.3
18	30.8	M4	27.0	1.0000 - 20UNEF	89.0	23.05	4.0	35.0
20	34.2	M4	29.4	1.1875 - 18UNEF	89.0	23.05	4.0	38.0
22	37.4	M4	31.8	1.1875 - 18UNEF	89.0	23.05	4.0	41.0
24	40.9	M4	34.9	1.4375 - 18UNEF	89.0	23.05	4.0	44.5
28	46.7	M5	39.7	1.4375 - 18UNEF	93.0	24.05	4.0	50.8
32	53.4	M5	44.5	1.7500 - 18UNS	93.0	24.05	4.0	57.0
36	59.6	M5	49.2	2.0000 - 18UNS	105.0	24.05	4.0	63.5
40	65.5	M5	55.5	2.2500 - 16UN	105.0	24.05	4.0	69.9

**TABLE II: MODIFICATION CODES**

CONTACT OPTIONS		ACCESSORY OPTIONS	
Sym	Description		
B0	Connector less contacts	N0	Connector less backshell
Omit for standard version (Gold Plated Copper Alloy Contacts Supplied)		N1	Connector with IT 3057 A cable clamp
		N5	Connector with IT 3057 C cable clamp
FINISH OPTIONS		N12	Connector with IT 3057 A cable clamp and IT 3420 neoprene sleeve
		Omit for standard version	
Sym	Description		
F2	Bright Nickel Plating		
F6	Black Electrodeposited Paint		
F8	Olive Drab Zn-Co Plating		
Omit for standard version (Cad free / black passivation Finish)			

